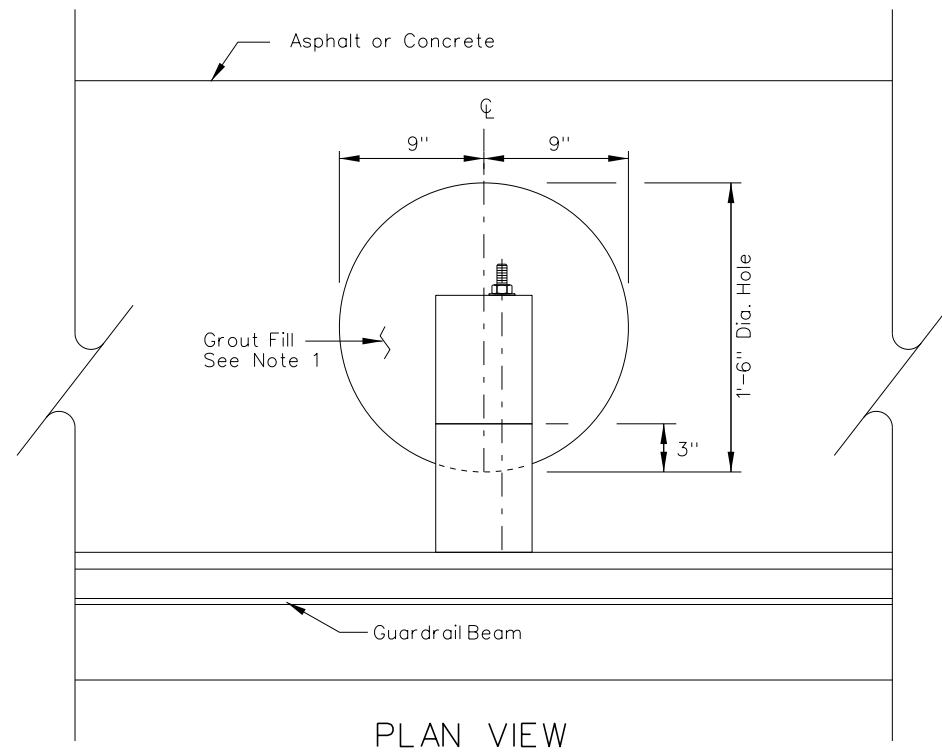


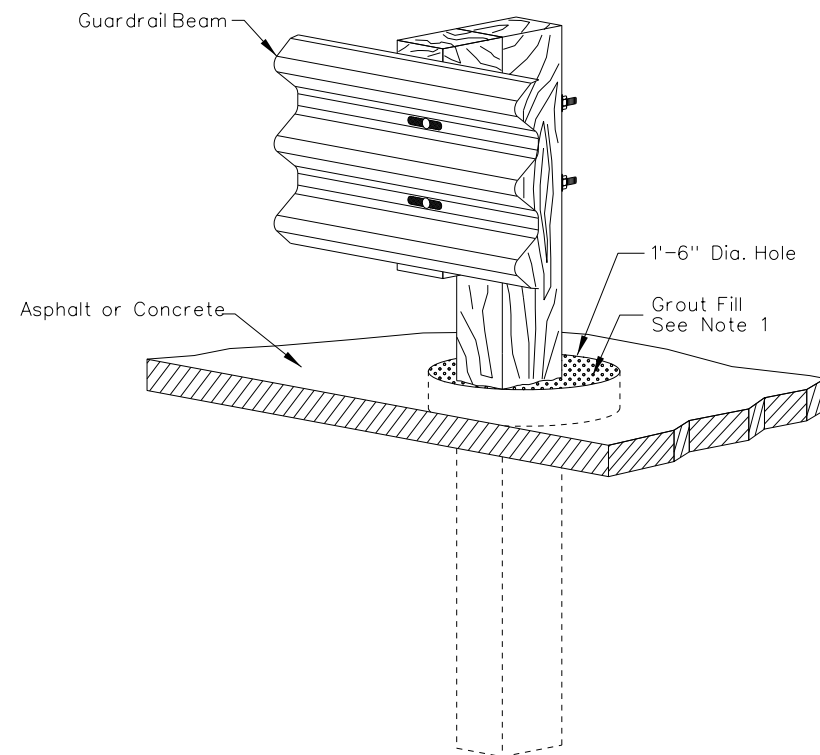
STATE	PROJECT NO.	COUNTY	SHEET NO.
NEVADA	PROJECT1	COUNTY1	SHT99

NOTES:

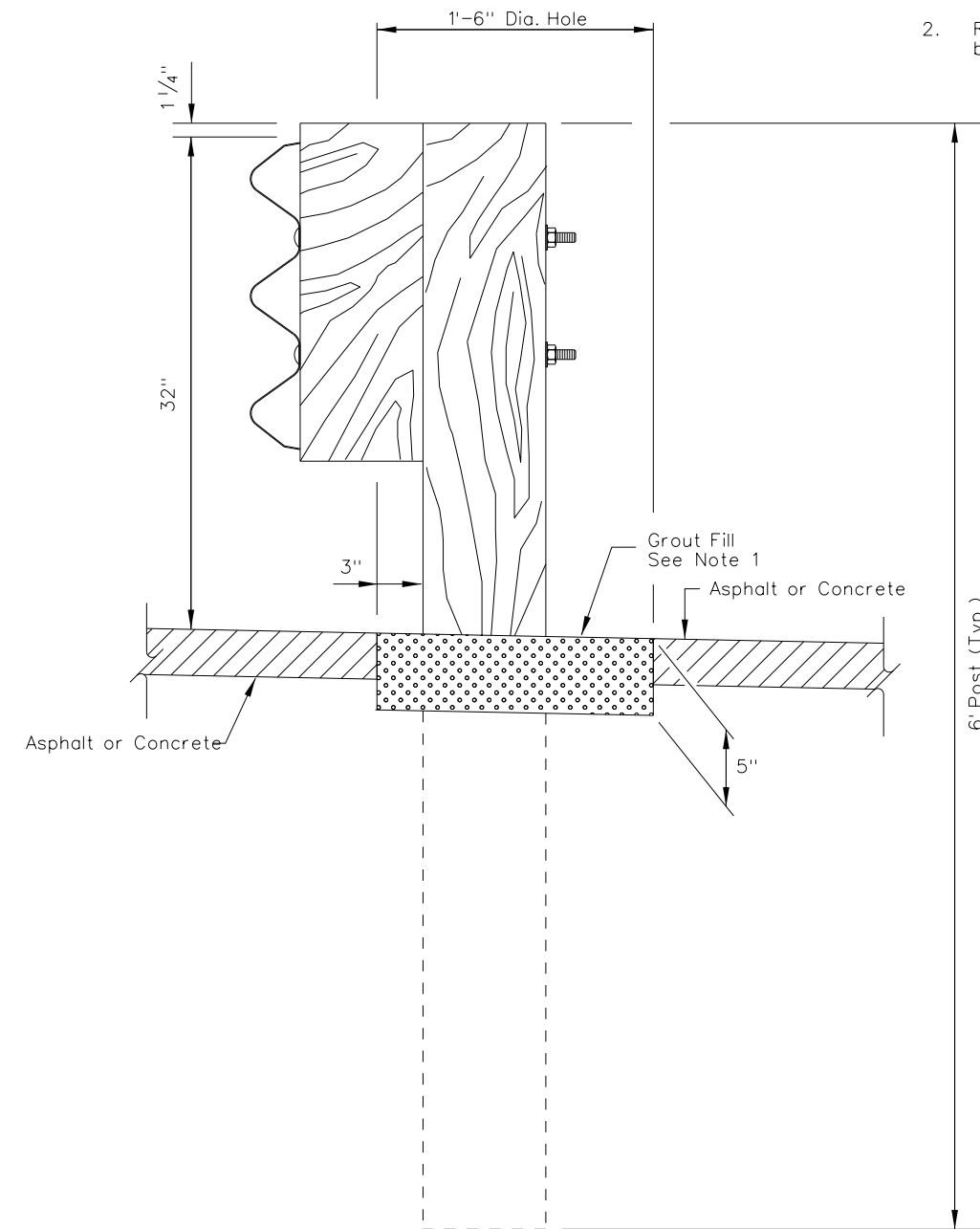
1. Grout fill material shall be 2-sack grout with a 28-day compressive strength of 120 psi or less.
2. Removal of existing surface and grout fill material shall be inclusive to guardrail bid items.



PLAN VIEW



ISOMETRIC



SIDE VIEW

STATE OF NEVADA
DEPARTMENT OF TRANSPORTATION

SPECIAL DETAIL
GUARDRAIL POST
IN PAVEMENT