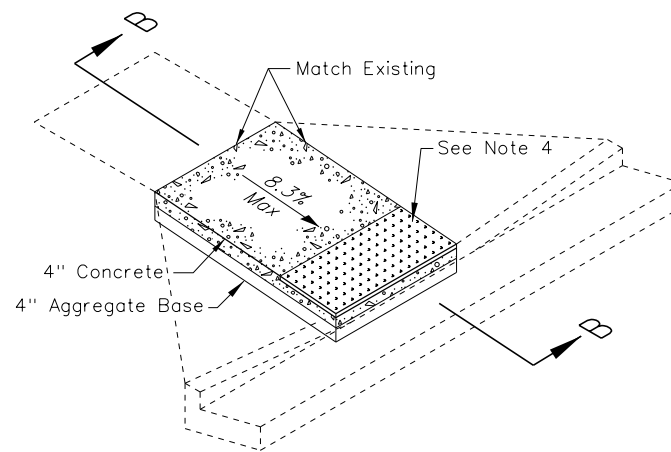


PANEL REMOVAL

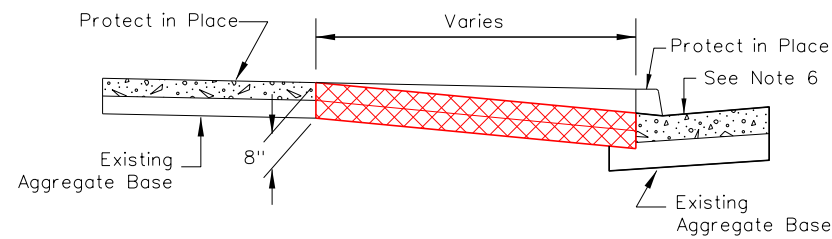


NEW PANEL AND
DETECTABLE WARNING

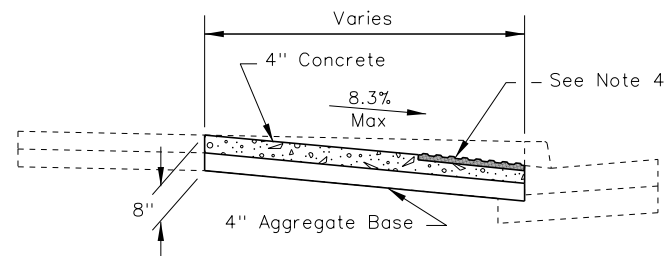
- LEGEND -
 - LIMITS OF REMOVAL

NOTE:

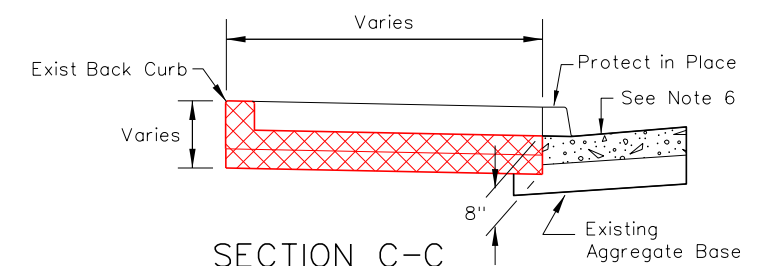
1. Transitions from ramps to gutters or roadway surface shall be flush and free of abrupt changes.
2. Rough broom texture on new curb ramp panel.
3. Concrete shall be Class A or AA
4. Detectable warning shall be installed per manufactures recommendations and conform to PROWAG (R304.1.3) " Contrast
5. See plans for location of curb ramps to be retrofit.
6. Protect in place unless removal is necessary.



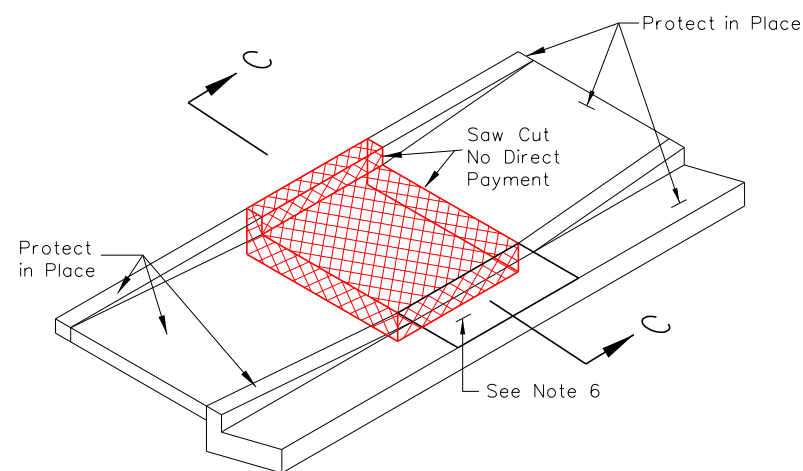
SECTION A-A



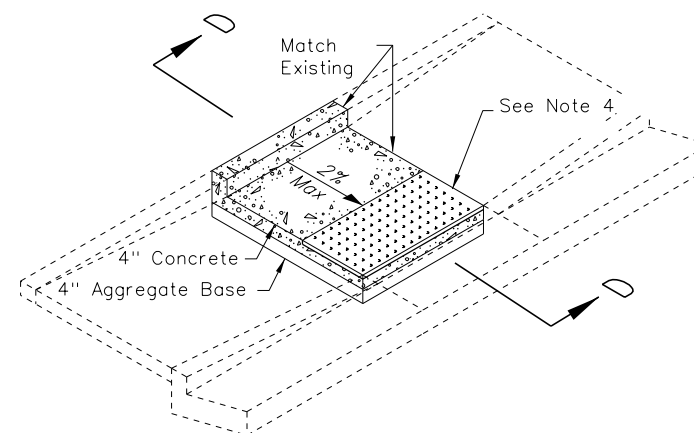
SECTION B-B



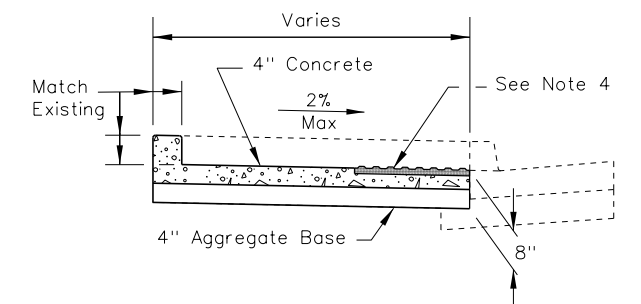
SECTION C-C



PANEL REMOVAL



NEW PANEL AND
DETECTABLE WARNING



SECTION D-D

STATE OF NEVADA
DEPARTMENT OF TRANSPORTATION

SPECIAL DETAIL
DETECTABLE WARNING
RETROFIT