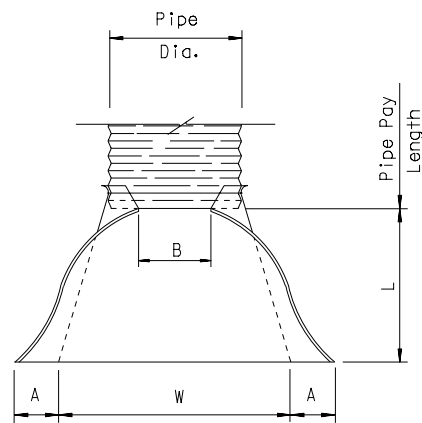
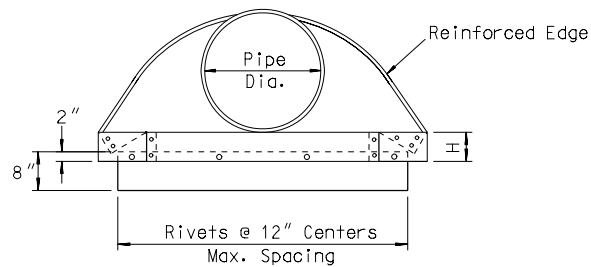


SECTION TYPE 1 OR 2 CONNECTION

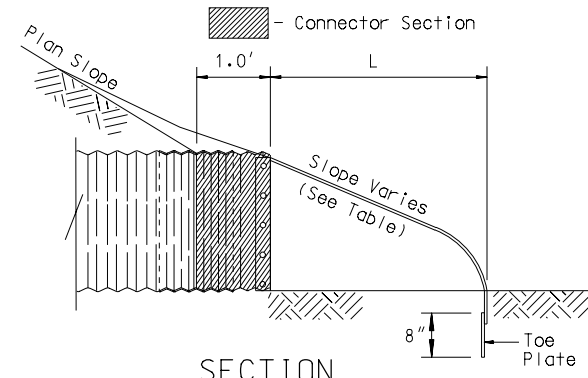


PLAN

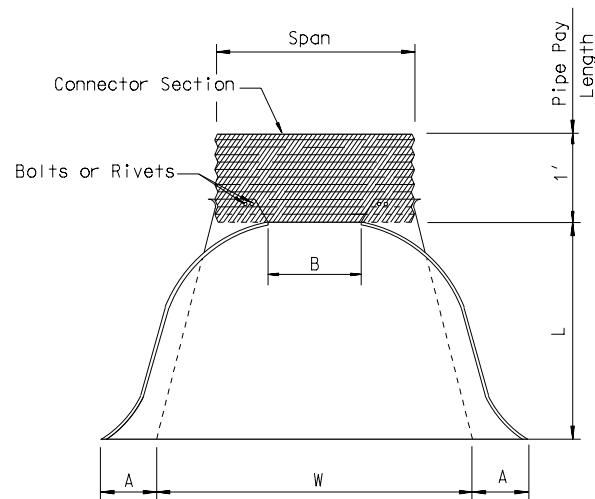


ELEVATION

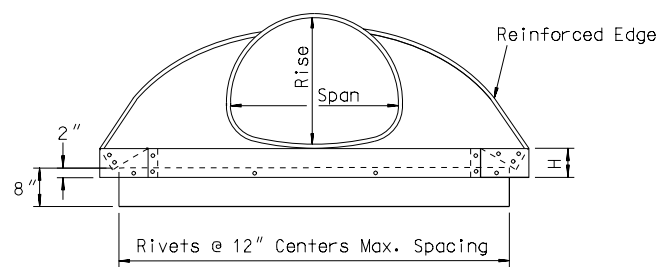
Length of Toe Plate To Be $W + 10''$ Min. For 12" to 30" Dia. Pipe Inclusive and $W + 22''$ Min. For 36" Diameter Pipes and Larger.



SECTION TYPE 3 CONNECTION

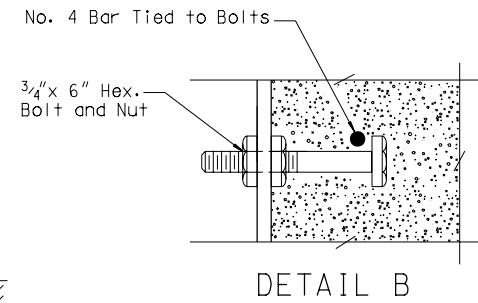


PLAN

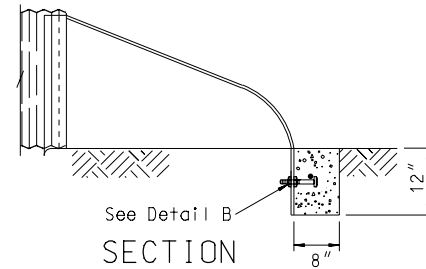


ELEVATION

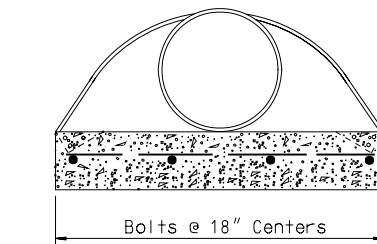
Length of Toe Plate To Be $W + 10''$ Min. For Pipe Arches With Rise of 13" to 29" Inclusive and $W + 18''$ Min. For Pipe Arches With Rise of 33" and Larger.



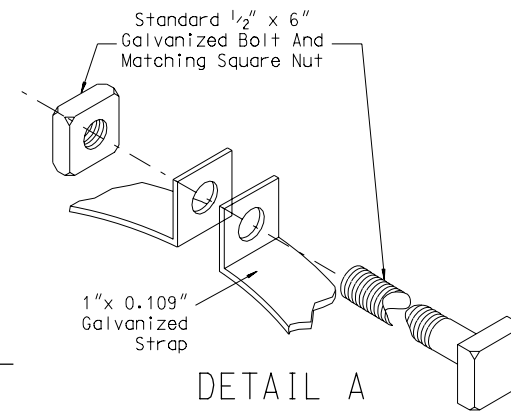
DETAIL B



SECTION



ELEVATION ANCHOR BLOCK DETAIL
See Notes 6 Thru 9



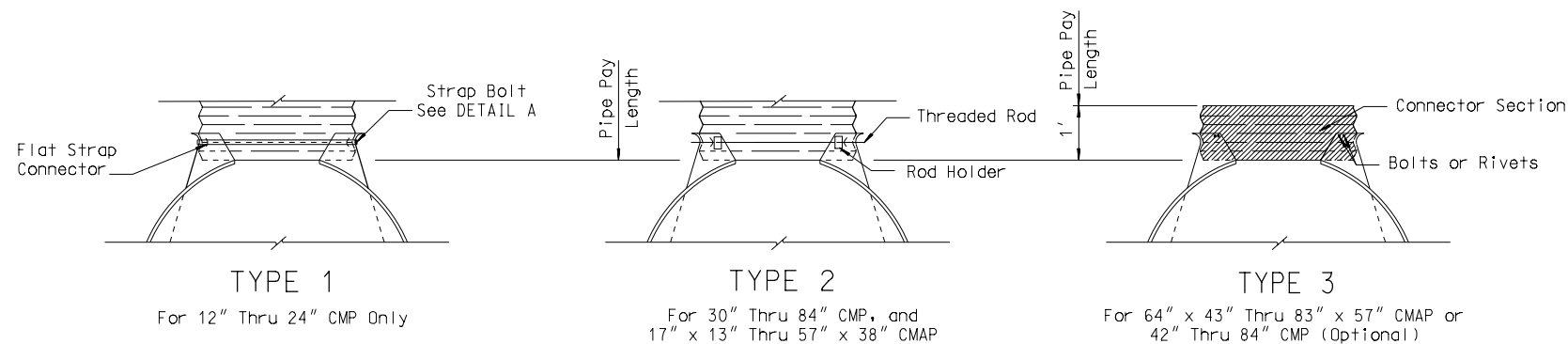
DETAIL A

TYPE CONNECTION	PIPE ARCH DIMENSIONS		GAGE	DIMENSIONS					APPROX. SLOPE	CONCRETE CU. YD. FOR INFORMATION ONLY
	SPAN	RISE		A 1" TOL.	B MAX.	H 1" TOL.	L 1 1/2" TOL.	W 2" TOL.		
TYPE 2	17"	13"	16	7"	9"	6"	19"	30"	2 1/2 : 1	0.26
	21"	15"	16	7"	10"	6"	23"	36"	2 1/2 : 1	
	24"	18"	16	8"	12"	6"	28"	42"	2 1/2 : 1	
	28"	20"	16	9"	14"	6"	32"	48"	2 1/2 : 1	
	35"	24"	14	10"	16"	6"	39"	60"	2 1/2 : 1	
	42"	29"	14	12"	18"	8"	46"	75"	2 1/2 : 1	
	49"	33"	12	13"	21"	9"	53"	85"	2 1/2 : 1	
57"	38"	12	18"	26"	12"	63"	90"	2 1/2 : 1		
TYPE 3	64"	43"	12	18"	30"	12"	70"	102"	2 1/4 : 1	0.29
	71"	47"	12	18"	33"	12"	77"	114"	2 1/4 : 1	
	77"	52"	12	18"	36"	12"	77"	126"	2 : 1	
	83"	57"	12	18"	39"	12"	77"	138"	2 : 1	

TYPE CONNECTION	PIPE DIAM.	GAGE	DIMENSIONS					APPROX. SLOPE	FOR INFORMATION ONLY *CONCRETE CU. YD.
			A 1" TOL.	B MAX.	H 1" TOL.	L 1 1/2" TOL.	W 2" TOL.		
TYPE 1	12"	16	6"	6"	6"	21"	24"	2 1/2 : 1	
	15"	16	7"	8"	6"	26"	30"	2 1/2 : 1	
	18"	16	8"	10"	6"	31"	36"	2 1/2 : 1	
	21"	16	9"	12"	6"	36"	42"	2 1/2 : 1	
	24"	16	10"	13"	6"	41"	48"	2 1/2 : 1	
TYPE 2	30"	14	12"	16"	8"	51"	60"	2 1/2 : 1	
	36"	14	14"	19"	9"	60"	72"	2 1/2 : 1	
TYPE 2 OR TYPE 3	42"	12	16"	22"	11"	69"	84"	2 1/2 : 1	0.26
	48"	12	18"	27"	12"	78"	90"	2 1/4 : 1	
	54"	12	18"	30"	12"	84"	102"	2 : 1	
	60"	12	18"	33"	12"	87"	114"	1 3/4 : 1	
	66"	12	18"	36"	12"	87"	120"	1 1/2 : 1	
	72"	12	18"	39"	12"	87"	126"	1 1/3 : 1	
	78"	12	18"	42"	12"	87"	132"	1 1/4 : 1	
	84"	12	18"	45"	12"	87"	138"	1 1/6 : 1	

GENERAL NOTES:

1. THE CULVERT LENGTHS SHOWN ON THE PLANS AND STRUCTURE LIST SHALL BE THE PAY LENGTH AS INDICATED ON THE STANDARD SHEET INCLUDING CONNECTOR SECTION LENGTHS WHEN USED.
2. PIPE ON SKEW SHALL BE MITERED. SUFFICIENT ADDITIONAL LENGTH OF PIPE SHALL BE ALLOWED TO PROVIDE CLEARANCE FOR END SECTIONS.
3. TOE PLATES REQUIRED ON ROUND PIPE 24" AND OVER IN DIAMETER AND ON ARCH PIPE 28"x 20" AND OVER UNLESS OTHERWISE SPECIFIED ON THE PLANS OR IN THE SPECIAL PROVISIONS.
4. TOE PLATES SHALL BE PUNCHED WITH 7/16" HOLES TO MATCH HOLES IN LIP OF END SECTION AND BOLTED WITH 3/8" GALVANIZED BOLTS.
5. REINFORCED EDGES TO BE SUPPLEMENTED WITH GALVANIZED STIFFENER ANGLES FOR THE 60" THRU 84" ROUND, 77"x 52" AND 83"x 57" PIPE-ARCH SIZES. THE ANGLES WILL BE 2"x 2"x 1/4" FOR THE 60" THRU 72" ROUND, 77"x 52" AND 83"x 57" PIPE ARCH SIZES AND 2 1/2"x 2 1/2"x 1/4" FOR 78" THRU 84" ROUND. THE ANGLES TO BE ATTACHED BY 3/8" GALVANIZED NUTS AND BOLTS.
6. ANCHOR BLOCK SHALL BE USED ON INLET END ONLY FOR 48" CMP AND OVER AND FOR 57"x 38" CMAP AND OVER UNLESS OTHERWISE SPECIFIED (SEE ANCHOR BLOCK DETAILS).
7. CONCRETE SHALL BE CLASS A OR AA.
8. TOE PLATE TO BE ELIMINATED WHEN ANCHOR BLOCK IS USED.
9. REINFORCING STEEL BAR TO CLEAR 2" ON ENDS OF CONCRETE ANCHOR BLOCK.



STANDARD CONNECTIONS

NEVADA DEPARTMENT OF TRANSPORTATION		
METAL END SECTIONS 12" TO 84" CMP AND 17"x 13" TO 83"x 57" CMAP		
Signed Original On File	R-2.2.1	(604)
CHIEF HYDRAULICS ENGINEER	ADOPTED 8/75	REVISION 1/98